

PHANTOM™ ELITE ULTRA

LED LIGHTING STRIPS



ULTRA HM SERIES

HORIZONTAL MOUNT

LOW VOLTAGE STRIP

PHANTOM LIGHTING

The Phantom ELITE ULTRA HM Series for Horizontal Shelf Lighting provides the highest quality in bright, completely concealed shelf lighting. Unlike other LED ribbon lights whose luminance is impossible to direct, these LED strip lights are mounted on compact trims that establish the precise aiming angle for optimum shelf lighting applications. This gives new meaning to our slogan See the Light, Not the Fixture! Representing a lower cost alternative to traditional linear lighting strips, the Phantom ELITE ULTRA HM Series LED operates at 240 lumens per foot. Color temperatures include the warm 2700K, the 3000K which closely mimics halogen, and the crisp white 4000K for custom and contemporary lighting applications. Phantom ELITE ULTRA HM Series LED strips operate with 24VDC power supplies and can be dimmed to meet any desired level with a standard low voltage dimmer. Heat production is minimal, rated at less than 4.5 watts per foot. Strips are precut to any desired length and can operate up to 15 linear ft. on one continuous section.

THE PHANTOM ELITE ULTRA HM SERIES FEATURES

- Designed for lighting display cabinets with fixed wood shelves
- 240 lumens per foot
- 2700K, 3000K and 4000K Color Temperatures
- Mounting Trims and Extrusions for Optimum Aiming Angle
- Wood Veneer Extrusion for mounting under shelves with no edge trim

NOTE: See also Elite for standard intensity applications.



ETL LISTED, MISCELLANEOUS FIXTURES, CONFORMS TO UL STD. 1598
73355



ORDERING INFORMATION

QTY.	SERIES	VERSION	COLOR TEMP	LENGTH	PROFILE	DRIVER	CONNECTOR	FINISH
	HM	ULTRA	2700K 3000K 4000K	(INCHES)	E1 E2 E3 3	MD20 20 WATT MD40 40 WATT MD60 60 WATT MD96 96 WATT MD150 150 WATT	LE END FEED (LEFT) RE END FEED (RIGHT) (WHEN FACING APPLICATION)	PAINTED METAL FW FLAT WHITE GW GLOSS WHITE FB FLAT BLACK GB GLOSS BLACK LB LIGHT BEIGE MB MEDIUM BROWN AL ALMOND UF UNFINISHED CC CUSTOM COLOR WOOD VENEER* O OAK M MAHOGANY P PINE W WALNUT
4	HM	ULTRA	2700K	33"	E3	MD20	LE	MB

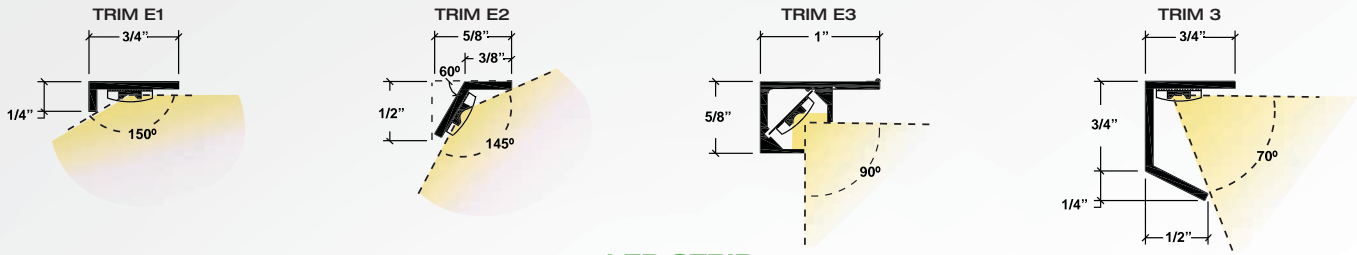
*NOTE: FOR TRIM E3 ONLY

EASY-TO-USE, DOWNLOADABLE ORDER FORMS WITH ACTIVE FORM FIELDS AT PHANTOMLIGHTING.COM



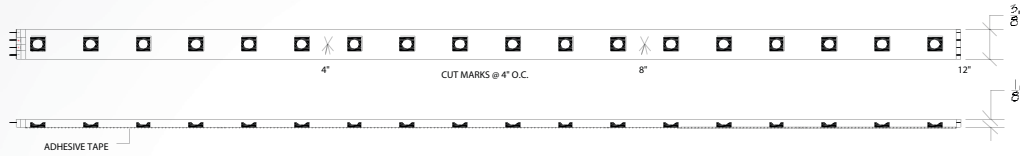
607 Durham Drive | Houston, Texas 77007-5316
 Tel: 713.863.1133 | Fax: 713.863.0044 | 800.863.1184
www.phantomlighting.com
 © Copyright 2013 Phantom Lighting Systems

HM ELITE ULTRA SERIES TRIM PROFILES



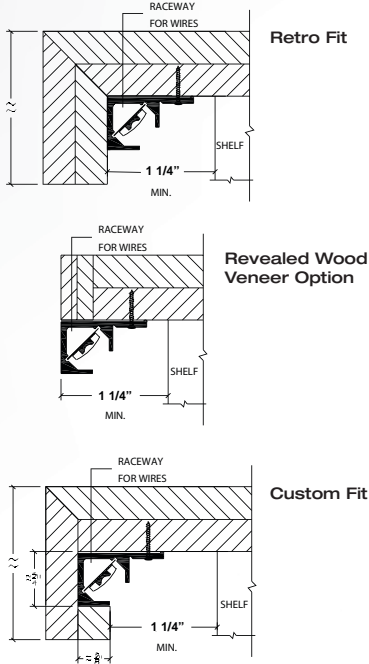
LED STRIP

The Phantom LED Strip Light is a low profile integral tape with diode spacing 0.67 inches on centers, operating at 24VDC and 4.5 watts per foot. Available Color temperatures are 2700K (warm like household lighting), 3000K (Slightly cooler like Halogen), and 4000K (cool white). The 2700K tone coordinates well with most residential lighting, while the 3000K tone makes colors appear more vivid for display purposes. The crisp whiter tone of 4000K is often preferred for commercial displays of diamonds and crystal. Life expectancy of the diodes is rated at 50,000 hours. Unlike ordinary light bulbs, these strip lights are virtually heat-free. Dimming is accomplished with an ordinary Low Voltage dimmer, rather than specialized dimming driver.



EXPLODED VIEW

Lighting Strip Location



Lighting Strip

Each lighting strip contains leds spaced at 0.67 inch on center. For best results, always use a matte finish on the back of the cabinet to minimize reflections or glare.

Concealed Wiring

For fixed shelving, furniture or retrofit applications it may be necessary to conceal wiring from individual fixtures back to the transformer. We are happy to manufacture your lighting strips with long leads to accommodate any application.

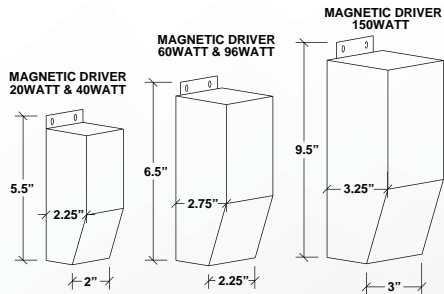
Drivers

Magnetic drivers are sized to match the total wattage of your lighting load and come equipped with one or more secondary circuit breakers. (See driver sheet for more sizing information and amperage calculations)

Dimmer Controls (by others)

Magnetic low voltage transformers should always be used with a dimmer designated for magnetic or inductive loads. Electronic transformers should always be used with a dimmer designated for electronic loads.

DRIVERS



SPECIFICATIONS	20 VA	40 VA	60 VA	96 VA	150 VA
MAXIMUM WATTAGE	16	32	48	76	150
HEIGHT (H)	5.5"	5.5"	6.5"	6.5"	9.5"
WIDTH (W)	2.25"	2.25"	2.75"	2.75"	3.25"
DEPTH (D)	2"	2"	2.25"	2.25"	3"
24 VOLT (CB)	(1) 1A	(1) 2A	(1) 2.5A	(1) 4A	(1) 6.25A
WEIGHT (LBS)	1.8	1.8	2	2	5
PART #'s	MD20	MD40	MD60	MD96	MD150

To figure total requirements for drivers, calculate total watts per foot divided by voltage equals total amperage. (watts / voltage = amperage). Refer to the table to calculate wire size and fusing requirements or see driver page for more specific details.